



**AIR MOTOR**

**Dura-Lite** series

**For standard and lube free application**



The enhanced **Dura-Lite** range combine durability with affordability. Their reliable performance and application flexibility provide economical solution for a wide variety of industrial tasks.

*The right torque at the right speed.*

High power to weigh ratio, easy installation, portability, minimum maintenance and simple controls are other features that makes INGERSOLL-RAND air motors an attractive option for a number of industrial applications.

Many users will find that they can substitute air motors from other manufacturers with the



The main reasons to choose a **Dura-Lite** series air motor :

**Variable Speed**

Controllable over a wide speed range. When an increase in load lowers the speed, the torque increases.

**Explosion-Proof**

Ideal for applications in hazardous or hostile environments

**Instantly Reversible**

Easy reversing using a directional control valve.

**Cool Running**

Cool and spark-free operation.

**Compact and Portable**

Air motors can work in any position and are easy to install.

**Minimum Maintenance**

Simple design and construction results in low maintenance and less down time

**Will Not Burn Out**

Will not overheat or sustain any other type of damage.

**No-shock Starts**

Accept repeated starting and stopping without limitation.

**Self-sealing vanes**

Vaness automatically take up their own wear

**Operate in all positions**

Air motors are easy to install and can work in any position providing adequate airline lubrication.

**Mounting Flexibility**

Simple control methods; Torque, speed and direction can be changed using simple controls.

**Long Life Accessories**

Resistant to moisture, dust and heat.

**Output Power vs Speed**

Output which inherently adjusts to match the applied load.

**Torque vs Speed**

When an increase in load lowers the speed, the torque increases.

**Lube free application**

Available with lube free vanes

**Air Consumption vs Speed**

Air consumption increase only when speed or air pressure increase.

**Mounting flexibility**

Compact in their design the **Dura-Lite** series motors can be delivered with Side or rear exhaust, metric flange or 2 holes flanges.

## TYPICAL APPLICATIONS

Mixing equipment  
 Conveyor drives  
 Beveling Machines  
 Textile machinery  
 Production robots

Strapping machines  
 Medical pump  
 Printing machinery  
 Hose reels

Paint, Ink and Glue systems  
 Punch Presses  
 All applications in hazardous area...

## SPECIFICATIONS

### Non Reversible range:

Model	Max Power		Speed @Max H.P	Free speed	Torque@ max power		Stall torque		Air consumption @ max Pow.		Weight	
	H.P	K.W	Rpm	Rpm	Ft-lbs	Nm	Ft-lbs	Nm	scfm	L/s	lb	Kg
SIZE												
2ME-55	0.28	0.21	30	65	54.94	74.5	82.96	112.5	12.92	6.1	0.50	1.1
2ME-90	0.29	0.22	45	100	35.99	48.8	56.27	76.3	12.92	6.1	0.50	1.1
2ME-225	0.29	0.22	135	275	11.73	15.9	24.19	32.8	12.92	6.1	0.50	1.1
2ME-400	0.29	0.22	225	450	7.01	9.5	13.72	18.6	12.92	6.1	0.36	0.8
2ME-600	0.31	0.23	350	700	4.72	6.4	9.07	12.3	12.92	6.1	0.36	0.8
2ME-1000	0.31	0.23	550	1100	3.02	4.1	5.68	7.7	12.92	6.1	0.36	0.8
2ME-2500	0.32	0.24	1500	3000	1.11	1.5	2.29	3.1	12.92	6.1	0.23	0.5
2ME-4000	0.32	0.24	2250	4500	0.81	1.1	1.40	1.9	12.92	6.1	0.23	0.5
202ME-50	0.38	0.28	25	55	87.91	119.2	130.9	177.5	18.01	8.5	0.59	1.3
202ME-80	0.39	0.29	35	90	56.93	77.2	88.94	120.6	18.01	8.5	0.59	1.3
202ME-200	0.42	0.31	110	225	19.69	26.7	37.98	51.5	18.01	8.5	0.59	1.3
202ME-350	0.42	0.31	200	400	10.84	14.7	22.49	30.5	18.01	8.5	0.45	1.0
202ME-550	0.42	0.31	300	600	7.45	10.1	14.53	19.7	18.01	8.5	0.45	1.0
202ME-850	0.43	0.32	500	1000	4.50	6.1	9.51	12.9	18.01	8.5	0.45	1.0
202ME-2250	0.43	0.32	1350	2700	1.70	2.3	3.47	4.7	18.01	8.5	0.32	0.7
202ME-3500	0.44	0.33	2100	4200	1.11	1.5	2.29	3.1	18.01	8.5	0.32	0.7
3ME-250	0.83	0.62	135	240	32.37	43.9	61.95	84	30.93	14.6	0.82	1.8
3ME-450	0.84	0.63	250	450	17.92	24.3	35.99	48.8	30.93	14.6	0.82	1.8
3ME-800	0.86	0.64	475	950	9.51	12.9	16.96	23	30.93	14.6	0.82	1.8

### Reversible range:

Model	Max Power		Speed @Max H.P	Free speed	Torque@ max power		Stall torque		Air consumption @ max Pow.		Weight	
	H.P	K.W	Rpm	Rpm	Ft-lbs	Nm	Ft-lbs	Nm	scfm	L/s	lb	Kg
SIZE												
22ME-360	0.25	0.19	185	335	13.42	9.9	20.20	14.9	12.08	5.7	0.50	1.1
22ME-540	0.27	0.20	280	510	9.22	6.8	13.83	10.2	12.08	5.7	0.50	1.1
22ME-900	0.27	0.20	455	825	5.70	4.2	8.68	6.4	12.08	5.7	0.50	1.1
22ME-2250	0.28	0.21	1215	2210	2.17	1.6	3.25	2.4	12.08	5.7	0.23	0.5
22ME-3600	0.28	0.21	1940	3530	1.49	1.1	2.17	1.6	12.08	5.7	0.23	0.5
2202ME-320	0.36	0.27	140	275	24.81	18.3	36.75	27.1	16.95	8	0.45	1.0
2202ME-480	0.38	0.28	220	440	14.78	10.9	23.87	17.6	16.95	8	0.45	1.0
2202ME-750	0.38	0.28	350	700	10.17	7.5	15.32	11.3	16.95	8	0.45	1.0
2202ME-2000	0.38	0.28	955	1900	3.66	2.7	5.56	4.1	16.95	8	0.32	0.7
2202ME-3000	0.38	0.28	1525	3050	2.44	1.8	3.66	2.7	16.95	8	0.32	0.7
33ME-250	0.72	0.54	115	210	59.39	43.8	89.22	65.8	38.98	18.4	0.82	1.8
33ME-450	0.74	0.55	220	380	32.14	23.7	48.95	36.1	38.98	18.4	0.82	1.8
33ME-800	0.75	0.56	395	715	18.03	13.3	26.98	19.9	38.98	18.4	0.82	1.8

Performances figure are at 90 psig 6.2 bar  
 Starting torque is approx. 75% of stall torque.

The **Dura-Lite** series motors have been design for:

- \* the temperature operating range from – 30 to +100°C
- \* the operating air pressure range from 2 bars up to 7 bars

- \* a simple in design and construction, they can be operated in all positions
- \* being powered with air compressed or nitrogene with 60 µ filtration

**Definition**

**1. Length**

From 125 to 200 mm

**2. Diameter**

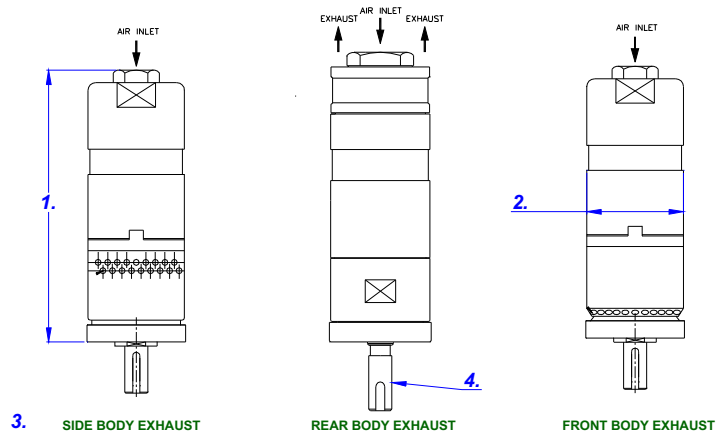
From 42 to 51 mm

**3. Exhaust**

Side or rear

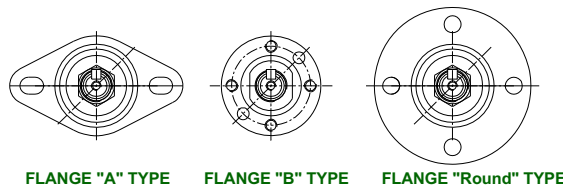
**4. Spindle**

Round keyed from 11 to 12.7 mm  
 Square  
 Threaded 3/8" : 1/2"

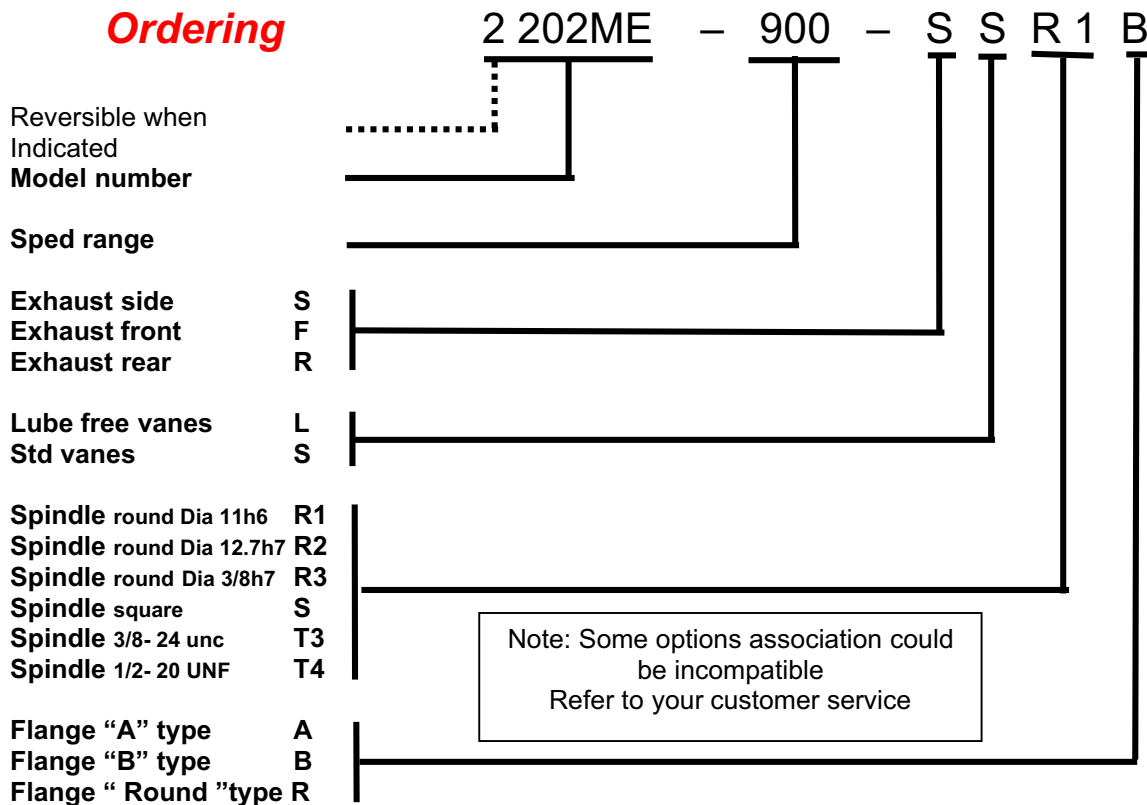


**5. Flange**

4 holes face  
 2 holes latteral  
 4 holes latteral

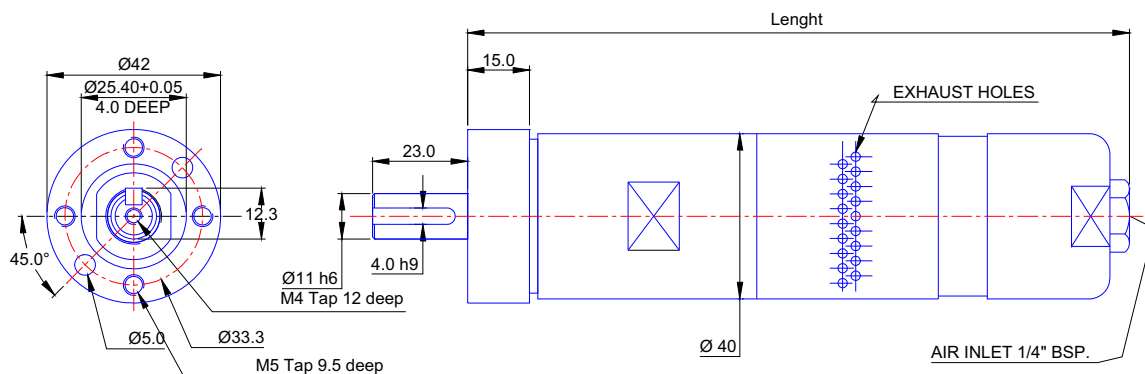


**Ordering**

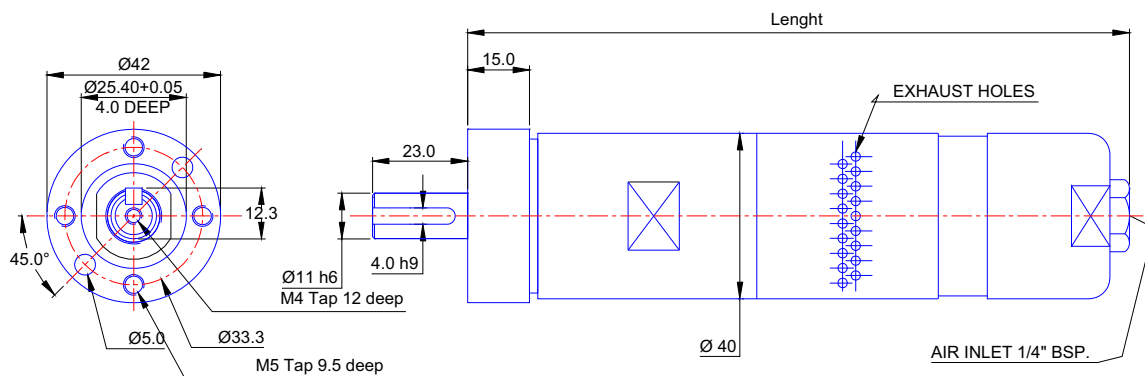


## Dimensional

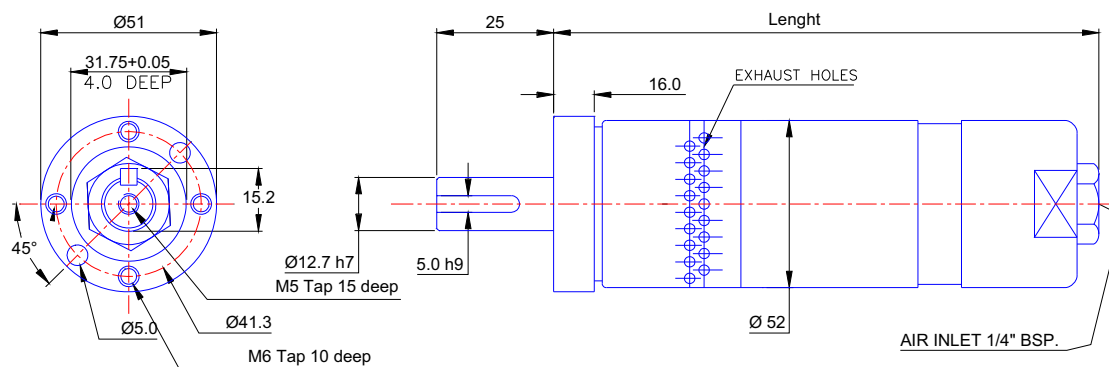
Models show below are with flange B, side exhaust, round shaft.  
For other model contact your customer service.



MODEL	2ME-55	2ME-90	2ME-225	2ME-400	2ME-600	2ME-1000	2ME-2500	2ME-4000
Lenght	190			160			135	
MODEL	22ME-360	22ME-540	22ME-900	2ME-2250	2ME-3600			
Lenght	150			125				



MODEL	202ME-50	202ME-80	202ME-200	202ME-350	202ME-550	202ME-850
Lenght	200			170		
MODEL	2202ME-320	2202ME-480	2202ME-750	2202ME-2000	2202ME-3200	
Lenght	160			135		



MODEL	3ME-240	3ME-450	3ME-800	MODEL	33ME-220	33ME-405	33ME-720
Lenght	200			Lenght	200		