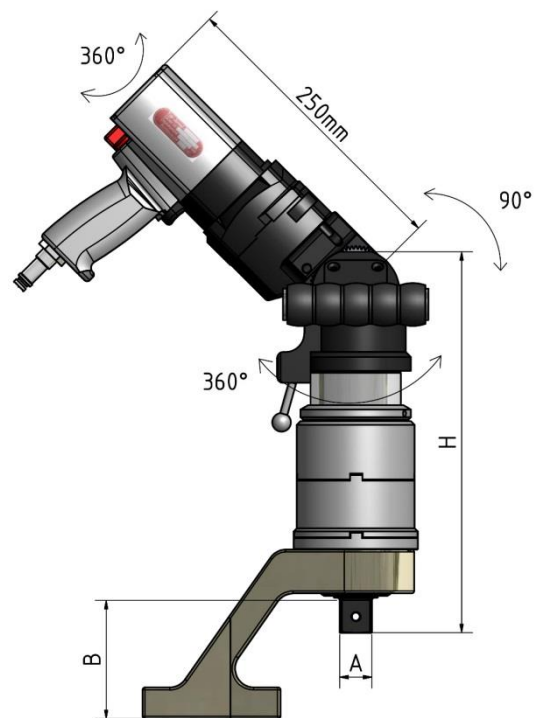


## Technical data | TLM - series

- Are adjusted via a finely adjustable pressure-reducing valve in the maintenance unit and have an accuracy of  $\pm 5\%$  under unchanging conditions
- Have a 360°-rotatable pistol grip; this ensures the comfortable positioning of the device on the screw connection. In addition, the easily reachable clockwise-counterclockwise switching enables the device to be operated comfortably.
- Have a 2-speed gearbox and can be adjusted with up to 44 torque settings.
- Operate vibration-free and quietly; therefore, in view of ergonomics and work safety, they cannot be compared with traditional impact wrenches
- The principle of the pneumatic drive motor enables work in heavily contaminated or dusty conditions, as the drive motor builds a continuous overpressure and requires no external air cooling supply.



TYP / TYPE		TLM- 84	TLM - 104	TLM - 244	TLM - 354	TLM - 504
Art.-Nr. TES -		58 084 300	58 104 310	58 244 320	58 354 330	58 504 340
Leistung / Torque (Nm)		40 - 880	40 - 1.200	70 - 2.500	70 - 4.000	100 - 5.000
Antriebsvierkant / Square drive	A	¾" o. 1"	1"	1"	1 ½"	1 ½"
Getriebe Ø (mm) / Gear diam. Ø	D	88	88	88	88	88
Länge(mm) / Length	L1	455/475	475	475	505	535
Höhe (mm) / Height	H	250/270	270	300	330	360
Weite (mm) / Width	B	55/75	75	75	95	95
Gewicht (kg)* / Weight		9.0/9.5	9,5	9,5	10,5	11,5
Leerlaufdrehzahl (UpM)** Idle speed (rpm)**		19	19	8,5	7,5	2

\* ohne Reaktionsarm / without torque support

\*\* 2. Gang / 2. speed gear

Technische Änderungen vorbehalten / Subject to technical changes