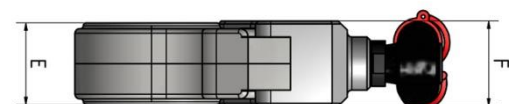
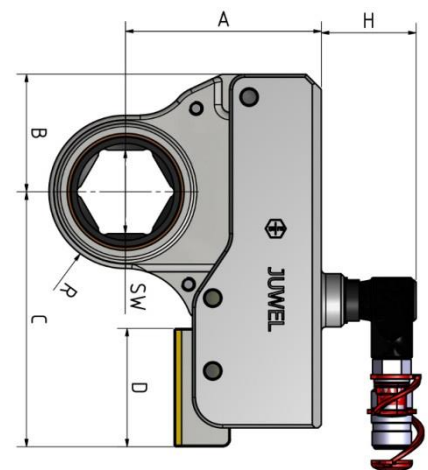


Technical data | BE - series

- Have an accuracy of +/- 2.5% under unchanging conditions.
- Are very flat, light, and compact devices made of high-performance aluminum
- The head radius optimizes the replacement cassettes for the most confined spaces as well as hard-to-access fittings
- Finely toothed precision ratchet allows the optimum utilization of the piston stroke
- Integrated safety cylinder made of high-strength material allows high pressure in a lightweight casing.
- No casing wear due to replaceable torque support arm
- Have hydraulic hose connections that are 360° freely rotatable under a load
- Cassettes can be replaced without tools; just reposition and plug in with locking bolt technology
- Cost-effective to use By using BEK AC hex reductions, if the screw case permits, a wide range of key widths can be covered



Typ		BE - 32	BE - 52	BE - 102	BE - 152
Art.-Nr. / Art.-no.:		73 032 000	73 052 000	73 102 000	73 152 000
Leistung / Torque max.	Nm	3.000	5.000	10.000	15.000
Gewicht / Weight*	kg	3,3	4,8	8,0	10,8
Größe / Screw size	sw	32 - 55	41 - 80	55 - 95	75 - 100
Wechselkassette BEK von-bis Interchangeable attachment BEK from-to	sw mm	32 - 55	41 - 80	55 - 95	75 - 100
A	mm	94 - 107	110 - 119	132 - 142	156 - 175
D	mm	74	78	118	130
C	mm	145	168	220	255
E	mm	35-44	35-55	45-60	55-70
B	mm	62,5	77,5	92	105
H	mm	60	60	60	60
F	mm	44	56	60	70
Kopfradius R	mm	35 - 50	40 - 70	55 - 85	75 - 100



Verschraubungsgeräte mit höherem Drehmoment auf Anfrage
Torque wrenches with higher moments of torsion on request
Technische Änderungen vorbehalten / Subject to technical changes